

LocaSafe PT10 Safety Tag

INSTALLATION AND OPERATING MANUAL

V1.1

1 Introduction

Worn by personnel, the PT10 Safety Tag interacts with the Base Station to measure their distances in between. It vibrates to warn the wearer when a vehicle (equipped with the Base Station) enters the predefined critical distance.

2 System Description

2.1 Product Summary

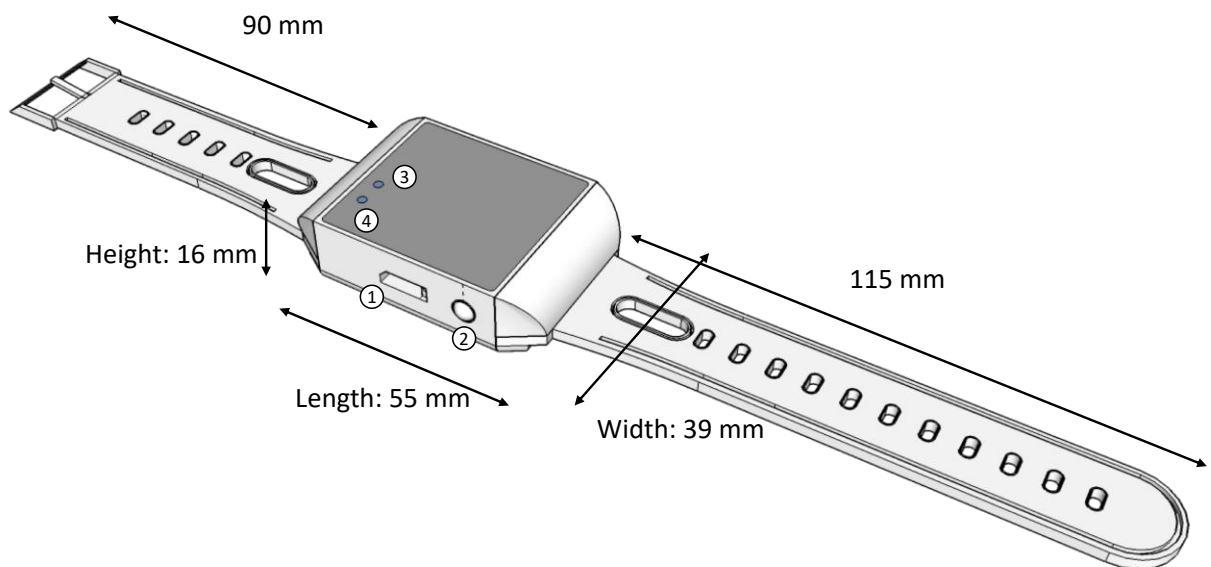


Figure 1 Exterior Drawing

- 1 USB micro charge port
- 2 Button for configuration
- 3 Operation indicator
- 4 Power indicator

2.2 Features

- Accurate Collision Risk Detection

- One-week standby time
- Movement Detection
- Adjustable Critical Distance
- Vibration Alarm.

2.3 System Specification

Standard	802.15.4a
Frequency	6.5 GHz
Detection Range	40 meters, 360 degree
Tracking Capacity	5 Anchors
Antenna	Internal antenna
Bluetooth Interface	Internal antenna, typical range 10 meters
Power Supply	Internal Lipo battery 500 mAh
Battery Lifetime	Active: 26 hours (without vibration); Standby: 2 weeks
Battery Charge Time	Approx. 2 hours
Battery Charge Interface	USB micro
Dimensions	38x56x15 mm

2.4 Packing List

Safety Tag x1

USB charging cable x1

2.5 Usage:

- Activation
The safety tag must be activated before it can be used for the first time. Hold the button (2) until the Operation indicator (3) flashes with red-blue light for a short time. The Operation indicator (3) will then flash with blue, indicating that the tag has been activated.
- Ranging
Working state of the safety tag can be identified by the flashing Operation indicator (3) with either blue or red light. In this state the tag is fully functional.

The Safety tag will vibrate 3 times (can be customized) when a Base station enters the danger zone. It will only vibrate 3 times for the same Base station, unless the Base station exits the danger zone and enters again
- Sleep mode
After round 1 minute (can be customized) without any movement detected, the safety tag turns into sleep mode. Operation indicator (3) turns off completely in this state and the safety tag is

invisible to Base stations. When any movement is detected in the sleep mode, safety tag re-enters the ranging mode and the Operation indicator begins flashing again.

- Power indication

The Operation indicator (3) uses different color to indicate the status of the tag battery.

Normally the indicator flashes with blue light. It turns to red light if the battery has 10% or less power left.

2.6 Recharge:

Connect a 5v micro USB charger to the Safety tag will recharge the tag's lithium battery.

Power indicator (4) shows solid orange light when the Safety tag is recharging. The tag functions normally in this state.

Power indicator (4) turns green when the tag's battery is fully charged.

Safety Tag uses li-po battery, it doesn't have memory effect. User can recharge it anytime when convenient.

3 Statement

The LocaSafe system (the Product) constitutes a safety aid instrument to prevent man-vehicle collisions in working areas. It does not constitute a personal safety system as it does not interact in any way with the machines on which it is installed (for example, applying the brakes etc.)

Inherently, the LocaSafe system's effectiveness is subordinate to the operator's action whenever and wherever, and in any case, it does not exonerate the Buyer and the operator from adopting routine safety procedures required for any specific operating situation (organizing the construction site, training operators on safety, designing signs, necessary cautions etc.) and from observing due diligence regulations.

Furthermore, the LocaSafe system, cannot guarantee the connection to radio frequency and therefore detection taking place in any case, given that this connection cannot occur properly because of electromagnetic interferences or due to other causes such as the lack of power of one or more devices, for example.

Locatechs B.V will not be held liable in any way for any direct or indirect damages, of any kind (including personal injury or property damage) subject to any matter whatsoever experienced by the Buyer or third parties as a result of using the Product.